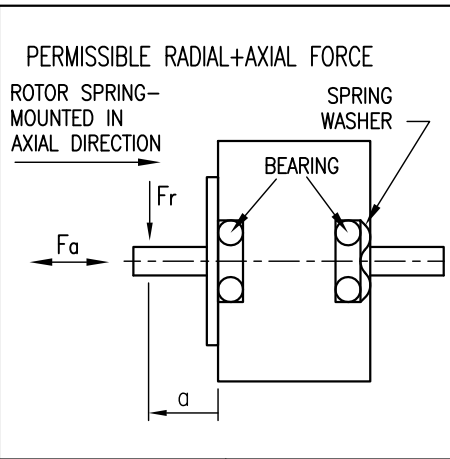


SPECIFICATION	CONNECTION	UNIPOLAR OR BIPOLAR-1 WINDING	BIPOLAR	
			SERIAL	PARALLEL
VOLTAGE (VDC)		4.95		
AMPS/PHASE		4.5	3.18	6.36
RESISTANCE/PHASE (Ohms)@25°C		1.1±15%	2.2±15%	0.55±15%
INDUCTANCE/PHASE (mH) @1KHz		6.3±20%	25.2±20%	6.3±20%
HOLDING TORQUE (Nm) [lb-in]		6.6 [58.41]	9.33 [82.57]	9.33 [82.57]
DETENT TORQUE (Nm) [lb-in]		0.20 [1.77]		
STEP ANGLE (°)		1.8	3	
STEP ACCURACY (NON-ACCUM)		± 5%	3	
ROTOR INERTIA (Kg-m²) [lb-in²]		3.0x10 ⁻⁴ [1.025]		
WEIGHT (Kg) [lb]		3.95 [8.71]		

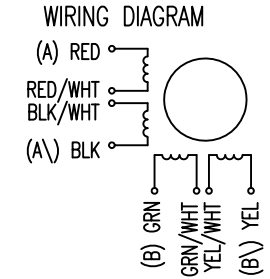


TYPE OF CONNECTION (EXTERN)				MOTOR	
UNIPOLAR	BIPOLAR			LEADS	WINDING
	1WINDING	SERIAL	PARALLEL		
A —	A —	A —	A —	RED	A
COM —	—	—	—	RED/WHT	
A\ —	—	A\ —	A\ —	BLK/WHT	A\
B —	B —	B —	B —	BLK	B
COM —	—	—	—	GRN	
B\ —	—	B\ —	B\ —	GRN/WHT	B\
				YEL/WHT	
				YEL	

TEMPERATURE RISE: MAX.80°C (MOTOR STANDSTILL; FOR 2 PHASE ENERGIZED)				AXIAL-FORCE Fa (N)				Fa=65			
AMBIENT TEMPERATURE -20~ 50°C [-4°F ~ 122°F]				DISTANCE a (mm)				5 10 15 20			
INSULATION RESISTANCE 100 MOhm (UNDER NORMAL TEMPERATURE AND HUMIDITY)				RADIAL-FORCE Fr (N)				535 355 256 200			
INSULATION CLASS B 130° [266°F] 3								AXIAL RADIAL			
DIELECTRIC STRENGTH 500VAC FOR 1 MIN. (BETWEEN THE MOTOR COILS AND THE MOTOR CASE)				SHAFT PLAY (mm)				0.075 0.025			
AMBIENT HUMIDITY MAX. 85% (NO CONDENSATION)				AT LOAD MAX: (N)				10 5.0			

FULL STEP 2 PHASE-Ex.,
WHEN FACING MOUNTING END (X)

STEP	A	B	A\	B\	CCW	CW
1	+	+	-	-	↓	↑
2	-	+	+	-	↓	↑
3	-	-	+	+	↓	↑
4	+	-	-	+	↓	↑



3	REMOVE TEXT	03.03.15	A.S.
2	NEW THREAD	25.07.13	A.S.
1	THICKNESS OF FLANGE	27.05.11	J.W.
REV	DESCRIPTION	DATE	APVD

Nanotec
PLUG & DRIVE

ST8918L4508-B

SCALE FREE	APVD	S.Ha.	09.01.07
X ±0.5	CHKD		
1PL ±0.2	DRN	J.W.	13.06.06
2PL ±0.1	SIGNATURE		
ANGLE ±30'	DATE		

STEPPING MOTOR

DWG.NO ST8918L4508-B